

woodworkers pivot + slider hardware

pivot + slider hardware

bottom roller sliding hardware

■ **7001** adjustable sliding bottom roller


■ **7000** black top track guide


■ **7003** sliding top glide


■ **7004** sliding bottom track



■ **7002** 913DBA heavy duty double bogey adjustable roller



Brio
BRIO TIMBEROLL 200 HEAVY DUTY BOTTOM ROLLER SLIDING DOORS
 • max height - 3000mm
 • max width - 3000mm
 • max weight - 200kg
 • door thickness - 38 - 48mm
 internal and external use.
 suitable for any number of doors to cover the opening on single or multiple tracks.
 doors may slide in one or both directions


NOTE : requires (2) two guides and (2) rollers per door. Top and bottom track comes in 5.8m lengths. Sold in 2,3,4 and 5.8m lengths only.


top hung sliding hardware


■ **7008** sold in 2, 3, 4 and 5.8m lengths
BRIO SINGLE RUN 180 TOP HUNG HEAVY DUTY SLIDING DOORS
 • max height - 3000mm
 • max width - 2500mm
 • max weight - 180kg
 • door thickness - 35 - 48mm
 for internal and external use for ease of operation, suitable for a single door or for two doors on a bi-parting install doors may slide in one or both directions
door kit comprises
 • relevant length of top and bottom tracks
 • 2 hangers
 • 2 door stops
 • 2 guides


■ **7005** single track 250kg bracket



■ **7006** double track 250kg bracket



■ **7025** architrave guide



■ **7922S** auto extending door seal



■ **7921** 3 fin under door seal 920mm



■ **7920** 3 fin under door seal 1200mm



■ **7926TB** pivot brush seal



■ **7923BRW** bifold z-seal


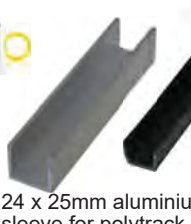
■ **7923BW** bifold z-seal



■ **7924BRW** window block seal



■ **7924W** window block seal


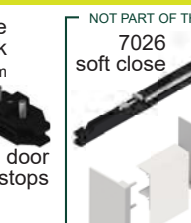
■ **7925B** undersash mohair strip



■ **7008** 47 x 48mm door bifold top track



■ **7008** 24 x 25mm aluminium sleeve for polytrack


■ **7012** 24 x 25mm aluminium sleeve for polytrack


■ **7013** bifold door bottom polytrack 20 x 21mm


■ **7022** bearing guide


■ **7027** soft close


■ **7025** architrave guide


Brio
BRIO SINGLE RUN 180 TOP HUNG HEAVY DUTY SLIDING DOORS
 • max height - 3000mm
 • max width - 2500mm
 • max weight - 180kg
 • door thickness - 35 - 48mm
 for internal and external use for ease of operation, suitable for a single door or for two doors on a bi-parting install doors may slide in one or both directions
door kit comprises
 • relevant length of top and bottom tracks
 • 2 hangers
 • 2 door stops
 • 2 guides

NOT PART OF THE KIT
 door stop
 top hanger
 bifold door bottom polytrack 20 x 21mm
 bearing guide

pivots + closers

■ **7904S** head reinforcing option for transom mounted hydraulic closer


■ **7901S** slimline parallel arm door closer


■ **7905B** narrow pivot arm option for 40mm doors


■ **7908S** non hydraulic pivot bottom assembly


■ **7909** concealed spring action door closer 150mm


■ **7907S** non hydraulic pivot top assembly


■ **7903** pivot door hydraulic transom closer


■ **7906** floor mounted pivot closer with cover plate and bottom arm


■ **7907S** also requires 7907S


■ **7907S** also requires 7907S


■ **7907S** also requires 7907S



■ **7907S** also requires 7907S


Brio
BRIO SINGLE RUN 100 ZERO CLEARANCE
 • max height - 3000mm
 • max width - 1500mm
 • max weight - 100kg
 • door thickness - min 35mm
 for internal use only suitable for a single door or multiple doors with a option of a soft close
door kit comprises
 • relevant length top track
 • 2 hangers
 • 2 clip stops
 • nylon saw cut guide

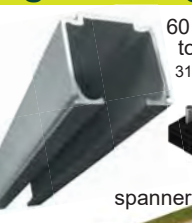
NOT PART OF THE KIT
 clip stop
 hanger
 saw cut guide


zero clearance top hung sliding hardware

■ **7040** sold in 2 and 3m lengths
BRIO SINGLE RUN 100 ZERO CLEARANCE
 • max height - 3000mm
 • max width - 1500mm
 • max weight - 100kg
 • door thickness - min 35mm
 for internal use only suitable for a single door or multiple doors with a option of a soft close
door kit comprises
 • relevant length top track
 • 2 hangers
 • 2 clip stops
 • nylon saw cut guide

■ **7012** 24 x 25mm aluminium sleeve for polytrack


■ **7013** bifold door bottom polytrack 20 x 21mm


■ **7022** bearing guide


■ **7027** soft close


■ **7025** architrave guide


Brio
BRIO SINGLE RUN 60 PACK TOP HUNG SLIDING DOORS
 • max height : 2400mm
 • max width - 1500mm
 • max weight : 60kg/door
 • min door thickness - 24mm
 • internal use only
 suitable for a single door or for two doors on a bi-parting install doors may slide in one or both directions
door kit comprises
 • 2 hangers
 • 2 door stops
 • 1 guide
 • spanner + screws
 2m or 3m track lengths available

NOT PART OF THE KIT
 soft close
 7019 pelmet
 7007 bracket

light weight sliding hardware

■ **7009** sold in 2 and 3m lengths
BRIO SINGLE RUN 60 PACK TOP HUNG SLIDING DOORS
 • max height : 2400mm
 • max width - 1500mm
 • max weight : 60kg/door
 • min door thickness - 24mm
 • internal use only
 suitable for a single door or for two doors on a bi-parting install doors may slide in one or both directions
door kit comprises
 • 2 hangers
 • 2 door stops
 • 1 guide
 • spanner + screws
 2m or 3m track lengths available

■ **7009** 60 profile toptrack 31 x 30mm


■ **7026** soft close


■ **7019** pelmet


■ **7007** bracket


Brio
BRIO SINGLE RUN 60 PACK TOP HUNG SLIDING DOORS
 • max height : 2400mm
 • max width - 1500mm
 • max weight : 60kg/door
 • min door thickness - 24mm
 • internal use only
 suitable for a single door or for two doors on a bi-parting install doors may slide in one or both directions
door kit comprises
 • 2 hangers
 • 2 door stops
 • 1 guide
 • spanner + screws
 2m or 3m track lengths available

NOT PART OF THE KIT
 soft close
 7019 pelmet
 7007 bracket

seals

■ **7920** 3 fin under door seal 1200mm


■ **7921** 3 fin under door seal 920mm


■ **7926TB** pivot brush seal


■ **7923BRW** bifold z-seal


■ **7923BW** bifold z-seal


■ **7924BRW** window block seal


■ **7924W** window block seal


■ **7925B** undersash mohair strip


■ **7950** wall cavity sliding unit


woodworkers bifold hardware

barn door sliding hardware



Illustration shows Woodworkers stock barn doors



stainless steel kit components

black powdercoat kit components

OPEN RAIL SLIDING DOOR KITS

• max weight - 80kg • door thickness - 35 - 45mm

• internal use only • suitable for one or two doors to cover the opening on a single track • doors may slide in one or both directions

7015S 7015B see pricelist for other options

- SINGLE DOOR KITS** comprises
- 2 hangers
 - 2 track stops
 - 1 bottom guide
 - 1 mounting bracket per 450mm of track
 - 2 end caps
 - 2 floor stops
 - 1 length of track

7016S 7016B see pricelist for other options

- DOUBLE DOOR KITS** comprises
- 4 hangers
 - 4 track stops
 - 2 bottom guide
 - 1 mounting bracket per 450mm of track
 - 2 end caps
 - 2 floor stops
 - 1 length of track

internal bifolds

7010 sold in 2, 3, 4 and 6m lengths

BRIO SHUTTER FOLD 25 BIFOLD DOORS

- max height : 2400mm
- max width : 900mm
- max weight : 25kg/door
- internal use only
- suitable for up to 6 leaves pivoted to each side of an opening available in
- 2 door, 4 door + 6 door packs



NOT PART OF THE KIT



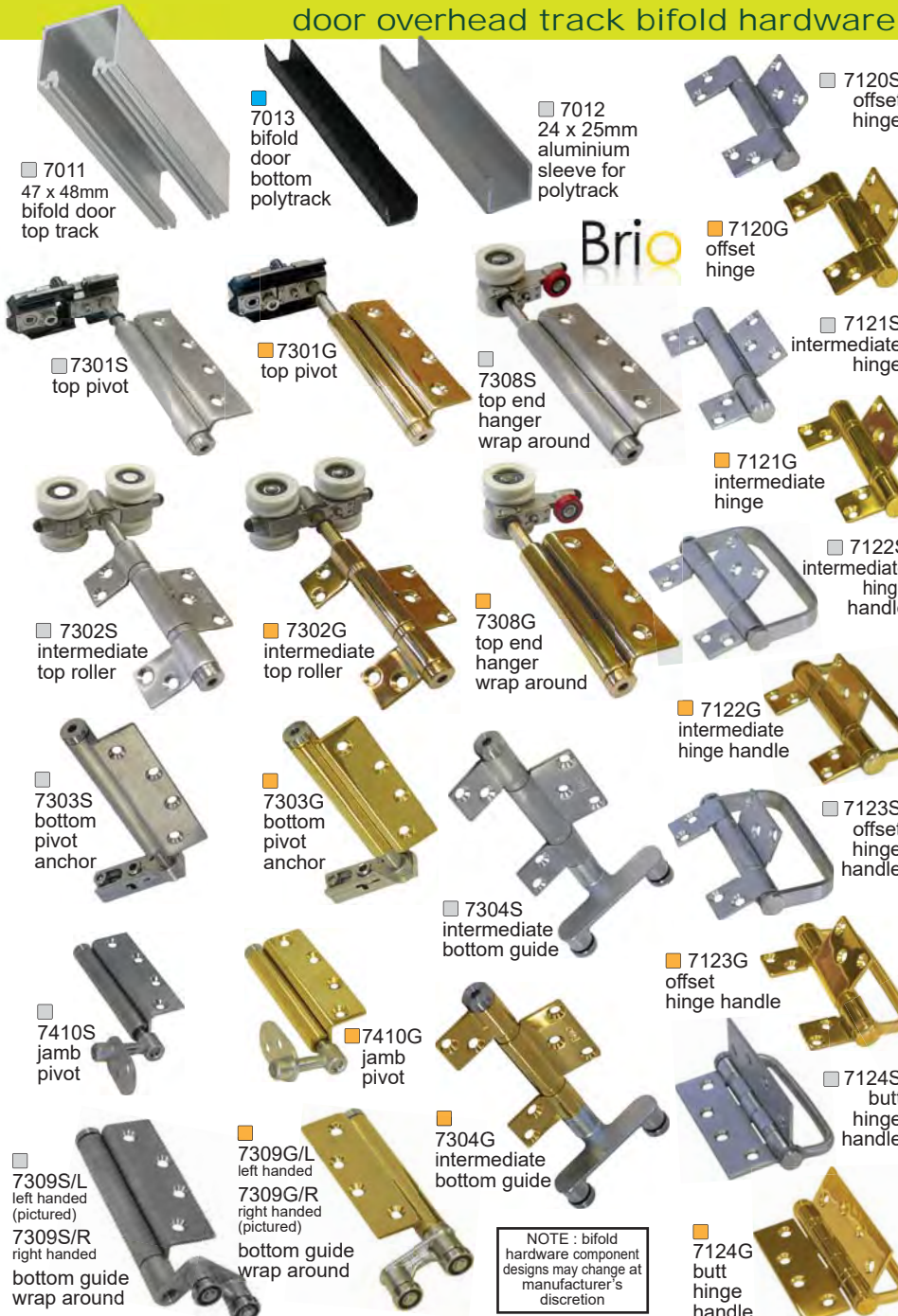
buy only the best bifold hardware and you'll never have any trouble



how to assemble & install a flat pack bifold kit video

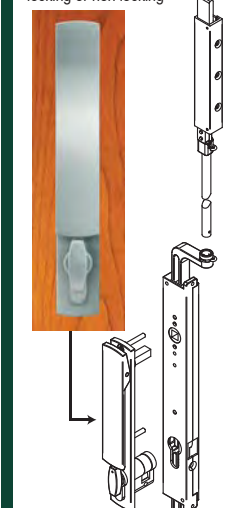


door overhead track bifold hardware



7401S see pricelist for other options
BRIO 286 DUAL POINT LOCK SYSTEM

- panel thickness 38mm - 44mm
- max panel height 2.9m
- throw of bolt 25 x 5mm SS bar
- 45mm backset
- suits intermediate or end hanging doors
- locking or non locking



Suitable for internal locking only. External key entry options available. silver only



NOTE : bifold hardware component designs may change at manufacturer's discretion